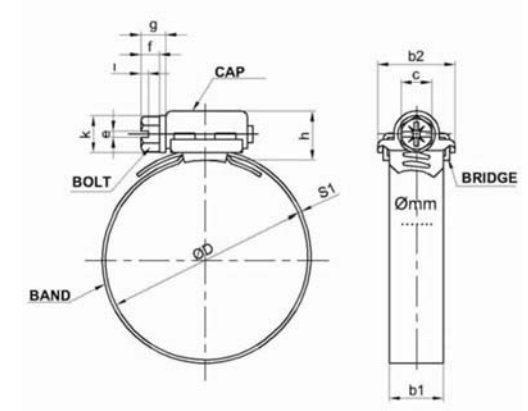


D Type Clamps



Dimensions

Code	Ø D		Qty in A Box	Weight of the box (kg)	S1 ±0.5	b1 ±0.3	b2 ±0.3	c -0.1	e ±0.2	f ±0.3	g ±0.3	h ±0.4	i ±0.2	k ±0.2										
	mm	inch																						
D1-01	19-26	3/4" - 1"	600	14	0,7																			
D1-02	20-32	3/4" - 1 1/4"	600	14,8																				
D1-03	23-35	8/9" - 1 3/8"	600	16,5																				
D1-04	25-40	1" - 1 5/8"	600	16,7																				
D1-05	30-45	1 1/6" - 1 3/4"	300	9																				
D1-06	32-50	1 1/4" - 2"	300	9,6																				
D1-07	40-60	1 5/8" - 2 3/8"	300	10,4																				
D1-08	50-70	2" - 2 3/4"	250	9,3																				
D1-09	60-80	2 3/8" - 3 1/8"	200	8,1		0,8	13	18,6	7	1,5	5	7,5	12	1,8	9,2									
D1-10	70-90	2 3/4" - 3 1/2"	200	7,5																				
D1-11	80-100	3 1/8" - 4"	150	6,8																				
D1-12	90-110	3 1/2" - 4 3/8"	150	6,1																				
D1-13	100-120	4" - 4 3/4"	100	5,3																				
D1-14	110-130	4 3/8" - 5 1/8"	100	4,9																				
D1-15	120-140	4 3/4" - 5 1/2"	75	4,5																				
D1-16	130-150	5 1/8" - 5 7/8"	75	4,7																				
D1-17	140-160	5 1/2" - 6 1/4"	75	4,9																				

Torque Values

Diameter ØD (mm)	Tightening Torque (Nm)	Breakdown Torque (Nm)	Idle Torque (Nm)
19-26	5	6,5	1
20-32	5	6,5	1
23-35	5	6,5	1
25-40	5	6,5	1
30-45	5,5	7	1
32-50	5,5	7	1
40-60	5,5	7	1
50-70	5,5	7	1
60-80	5,5	7	1
70-90	5,5	7	1
80-100	5,5	7	1
90-110	5,5	7	1
100-120	5,5	7	1
110-130	5,5	7	1
120-140	5,5	7	1
130-150	5,5	7	1
140-160	5,5	7	1

Recommended tightening speed 300 rpm.
Available for TS12091-DIN 3017

Materials

W1	Band	: 1.0330 [DC03 (C490) Special Steel]
	Cap&Bridge	: 1.0330 [DC03 (C390) Special Steel]
	Screw	: 1.5525 [(20MnB4) Special Zinc Plated]
	Salt Water Test	: 100 hours
W2	Band&Cap&Bridge	: 1.4016 [(X6Cr17) Magnetic st/st]
	Screw	: 1.5525 [(20MnB4) Special Zinc Plated]
	Salt Water Test	: Screw 200 hours; Band & Cap & Bridge 400 hours
W4	Band&Cap&Bridge	: 1.4301 [(X5CrNi 18-10) Antimagnetic st/st]
	Screw	: 1.4567 [(X3CrNiCu 18-9-4) Antimagnetic st/st]
	Salt Water Test	: 800 hours

Salt water test is performed regarding ASTM B 117 standards.

